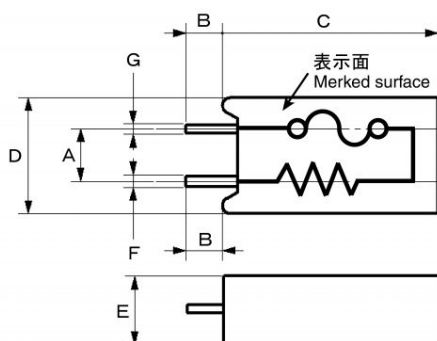




Features

- Thermal links / Resistor assemblies is a product that combined with thermal links of fusible alloy type and 5W wire wound resistor type.
- F7K is RoHS compliance product, non-Pb and non-Cd contains.
- F7K got excellent interception characteristic when abnormality overload happened.
- Especially, F7K adopted excellent characteristic resistive element against the In-rush current, and it is the best for preventing In-rush current.



Dimensions (mm)						
A	B	C	D	E	F	G
5±0.5	3.5+1, -0.5	30±0.5	15±0.5	11±0.5	0.80±0.04	1.00±0.04

Specification

Type No.	Nominal Resistance Value (Ω)	Resistance Tolerance (%)	Rated functioning temperature (°C)	Rated Power (W)	Voltage (V)
F7K□□□J13-X	1.8~820	±5	134	3.0	AC250
F7K□□□J14-X	1.8~820		145	3.5	

Safety standard information

Type No.	Safety standard approval					
	PSE	UL	C-UL	VDE	CCC	KC
F7K□□□J13-X	-	E73591	E73591	40048129	-	-
F7K□□□J14-X	-	E73591	E73591	40048167	-	-